

# SEWAGE PUMPS

## Model: SWH300



### Features

- Heavy duty cast iron construction
- Oil-filled continuous duty CSCR motor (1Ph) and Induction motor (3Ph)
- 9 Vane vortex cast iron impeller
- 2" solids handling

### Specifications

#### Physical Data:

DISCHARGE SIZE	3" NPT
IMPELLER TYPE	9 Vane Vortex - Cast Iron
CABLE LENGTH	20'

#### Liquid Handling:

SOLIDS SIZE	2-1/2"
MAXIMUM LIQUID TEMP.	104°F – Intermittent
ACCEPTABLE PH RANGE	6-8

#### Technical Data:

MOTOR HOUSING	Cast Iron
CASING	Cast Iron
IMPELLER	Cast Iron
MOTOR SHAFT	SS416
HARDWARE	SS
"O" RINGS	NBR
SEALS	Mechanical, Carbon Ceramic
UPPER BEARING	6203
LOWER BEARING	6206

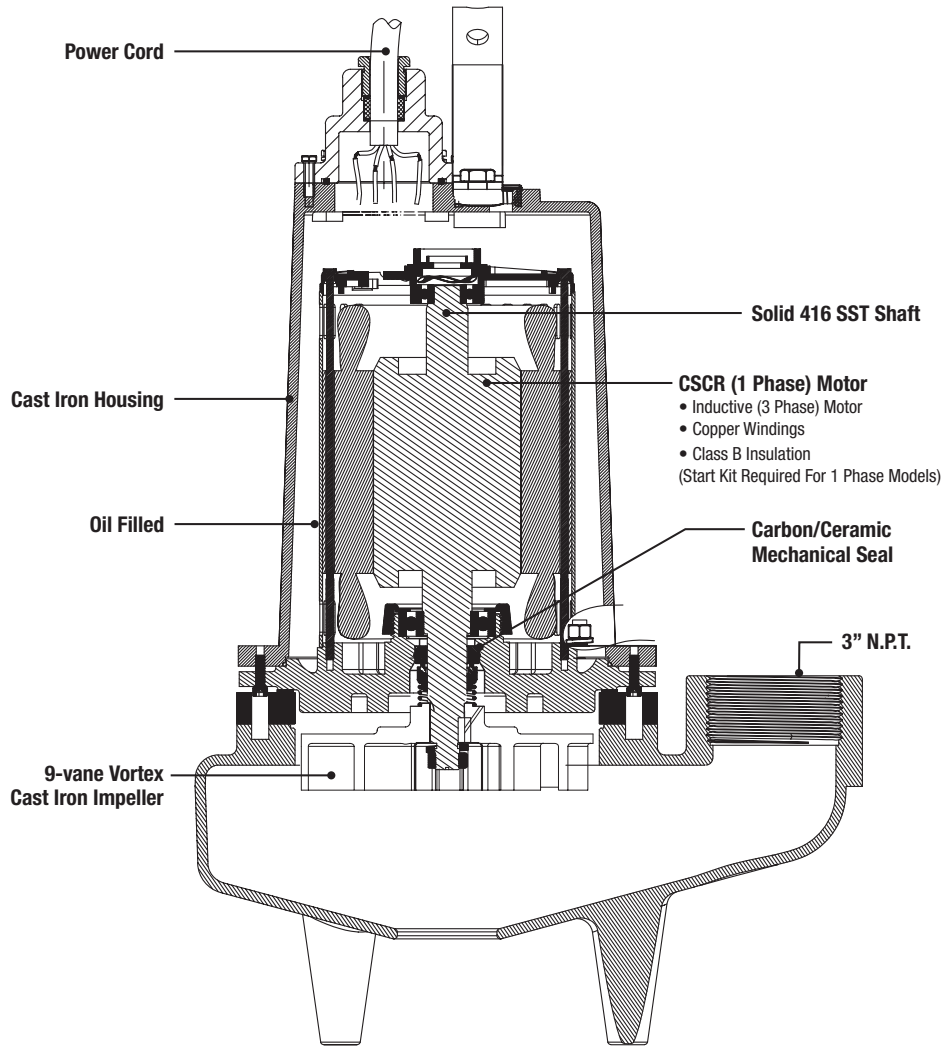
#### Electrical Data:

R.P.M.	1750
MOTOR TYPE	CSCR/Induction
GEN INSULATION CLASS	B
STATOR WINDING CLASS	B
MAXIMUM STATOR TEMP	130°C
VOLTAGE TOLERANCE	±10%
HP	3
VOLTAGE	208/230/460
PHASE	1/3
SERVICE FACTOR	1

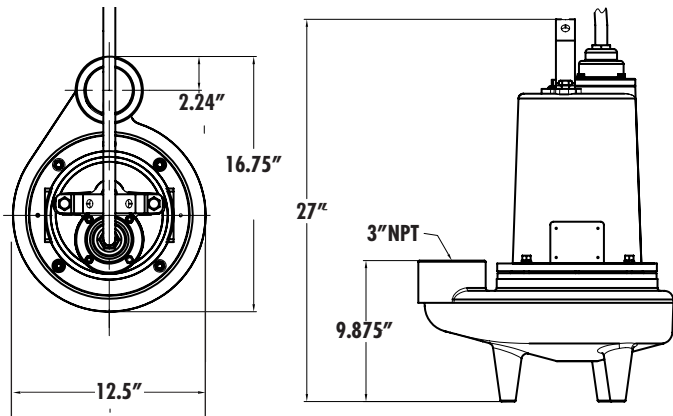
### Specifications

Model	HP	Hz	Volts/Ph	RPM	Full Load Amps	Nema Start Code	Cord Type	Cord Power Size	Cord O.D.
SWH300M2-20	3	60	230/1	1750	28.0	D	SOW	8AWG/4C	1.0
SWH300M3-20	3	60	230/3	1750	16.0	D	SOW	12AWG/4C	0.7
SWH300M4-20	3	60	460/3	1750	8.0	D	SOW	12AWG/4C	0.7
SWH300M5-20	3	60	208/1	1750	33.5	D	SOW	8AWG/4C	1.0
SWH300M6-20	3	60	208/3	1750	18.0	D	SOW	12AWG/4C	0.7

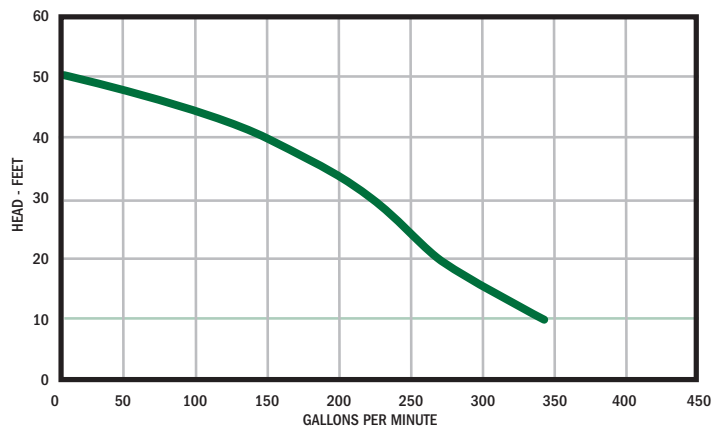
# Features



## Dimensions



## Performance Curve



**Ashland**

P U M P

*Honest, Professional, Dependable*

1899 Cottage Street, Ashland, Ohio 44805

Telephone: 855 281-6830 • Fax: 877 326-1994 • ashlandpump.com